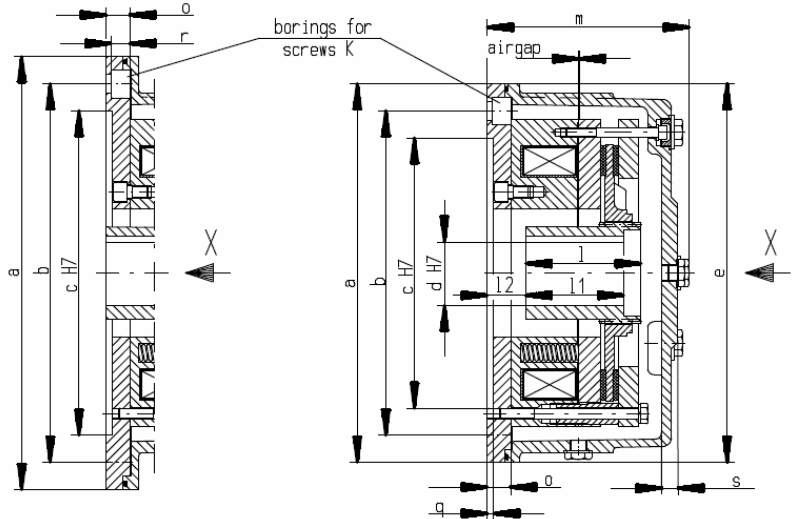
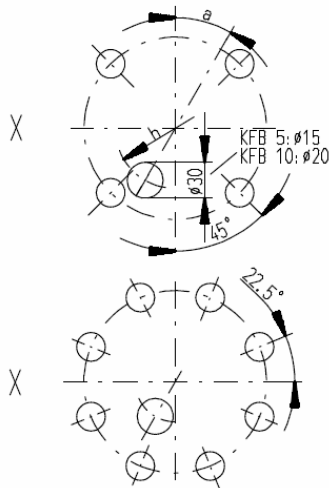


KFB

Electromagnetic Double-Disc Spring-Applied Brake



Bolthole circle on flanges (DIN EN 50347)
for screws K



Brake size		KFB 5	KFB 10	KFB 16	KFB 25	KFB 30	KFB 40	KFB 63	KFB 100	KFB 160
Brake torque M2) ¹ dynamic acc. to DIN VDE 0580	Nm	50	100	160	250	300	400	630	1000	1600
Mass moment of inertia	kgm ²	0,0010	0,0017	0,0037	0,0048	0,0055	0,0068	0,0175	0,036	0,050
Mass (weight)	kg	15	19	25	42	47	52	72	104	150
max. idle speed	min ⁻¹	6000	6000	6000	6000	6000	5500	4700	4000	3600
Coil at 20°C	Nominal voltage	V DC	110	110	110	110	110	110	110	110
	Nominal power	W	79	93	128	158	133	196	220	307
	Nominal current	A	0,72	0,84	1,16	1,44	1,20	1,78	2,00	2,79
Airgap OFF	normal	mm	0,3	0,3	0,3	0,3	0,3	0,4	0,4	0,4
	maximum	mm	0,8	1,0	1,0	1,2	0,9	1,2	1,3	1,5
Diameter mm	B-Side	d pilot bore	8	26	26	36	26	36	36	36
		d ^{H7} preferential bore	15	28	28	38	32	38	42	60
			20	32	32	42	38	42	48	65
			38	38	48	42	48	55	75	
		d ^{H7} maximum	25	42	42	55	45	55	60	80
e	160/200	200/250	253/303	300/350	250/300	303/350	350/400	400/450	450	
h	93	106	144	194	144	194	214	267	300	
Length mm	l	60	110	96	117	137	117	142	148	155
	l ₁ standard	60	110	96	117	137	117	142	142	142
	l ₁ with tachometer	53	107	93	114	132	114	138	138	142
	l ₂	50	0	0	0	0	0	0	0	0
	m	145	154	141	165	175	175	187	196	218
	s	13	15	15	15	15	15	15	15	17
Angle	α°	22,5	30	30	30	67,5	30	30	30	30
Suitable standard intermediate flanges	A160	A200	A250-1	A300-1	A250-1	A300-1	A350	A400-1	A450-1	
	A200	A250	A300	A350	A300-1	A350	A400	A450	A550	

)¹: Measured at 1m/s; Values are only achieved after running-in process; other brake torque on request

Dimensions of standard intermediate flanges

Standard flange	A160	A200	A250	A250-1	A300	A300-1	A350	A400	A400-1	A450	A450-1	A550
Dia- meter mm	a	160	200	250	250	300	300	350	400	400	450	550
	b	130	165	215	218	265	265	300	350	350	400	500
	c H ⁷	110	130	180	180	230	230	250	300	300	350	450
Length mm	o	18	18	18	20	20	22	22	29	29	31	31
	q	5	5	5	5	5	6	6	6	6	6	6
	r	11	11	13	13	13	13	17,5	17,5	17,5	17,5	17,5
	Screws k	4xM8	4xM10	4xM12	4xM12	4xM12	4xM12	4xM16	4xM16	4xM16	8xM16	8xM16

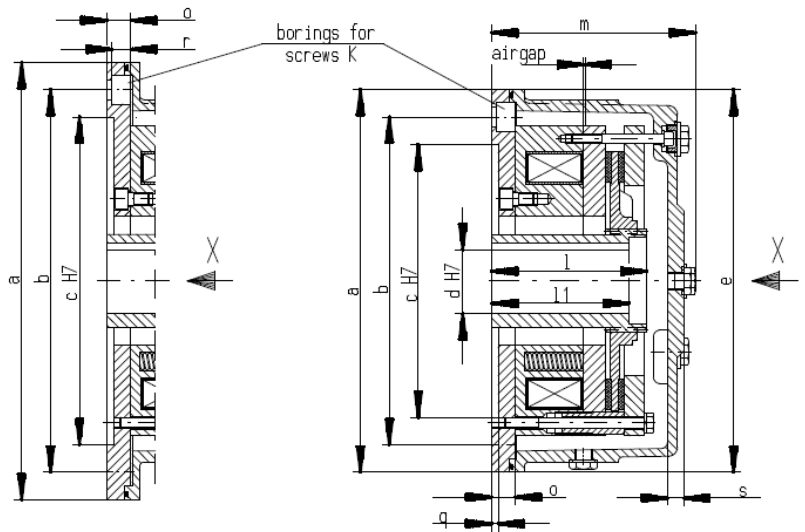
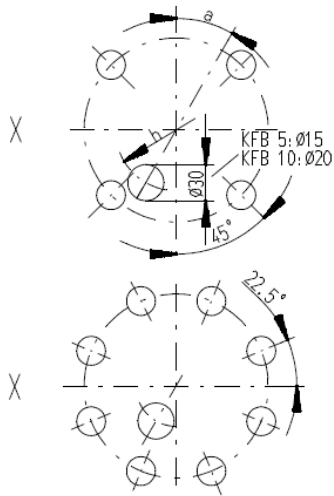
Keyways for keys acc. to DIN 6885/1; width accuracy P9
Protection IP67

Subject to change without notice

Version		Datum	Name	8-A01100400953	Blatt 1 von 1
H/8-THO21016	Erstellt	10.06.2021	THO		
	Geprüft	14.06.2021	THO		
	Freigegeben	17.06.2021	DIR		

Increased torque

Bolthole circle on flanges (DIN 42948)
for screws K



Brake size		KFB 40/47	KFB 63/70				
Brake torque M2) ¹ dynamic acc. to DIN VDE 0580	Nm	470	700				
Mass moment of inertia	kgm ²	0,0068	0,0175				
Mass (weight)	kg	52	72				
max. idle speed	min ⁻¹	5500	4700				
Coil at 20°C	Nominal voltage	V DC	110	110			
	Nominal power	W	196	220			
	Nominal current	A	1,78	2,00			
Airgap OFF	normal	mm	0,3	0,4			
	maximum	mm	1,2	1,3			
Diameter mm	B-Side	d pilot bore	36	36			
		d ^{H7} preferential bore	38	42			
			42	48			
			48	55			
		d ^{H7} maximum	55	60			
	e	303/350	350/400				
	h	194	214				
Length mm		l	117	142			
		l ₁ standard	117	142			
		l ₁ with tachometer	114	138			
		m	175	187			
		s	15	15			
Angle	α°	30	30				
Suitable standard Intermediate flanges		A300-1	A350				
		A350	A400				

)¹: Measured at 1m/s; Values are only achieved after running-in process; other brake torque on request

Dimensions of standard intermediate flanges

Standard intermediate flange		A300-1	A350	A400			
Dia-meter mm	a	300	350	400			
	b	265	300	350			
	c H ⁷	230	250	300			
Length mm	o	22	22	22			
	q	5	6	6			
	r	13	17,5	17,5			
Screws k		4xM12	4xM16	4xM16			

Keyways for keys acc. to DIN 6885/1; width accuracy P9
Protection IP67

Subject to change without notice

Version	Datum	Name	8-A01100402953	Blatt 1 von 1	
A/8-THO21016	Erstellt	10.06.2021			THO
	Geprüft	14.06.2021			THO
	Freigegeben	17.06.2021	DIR		